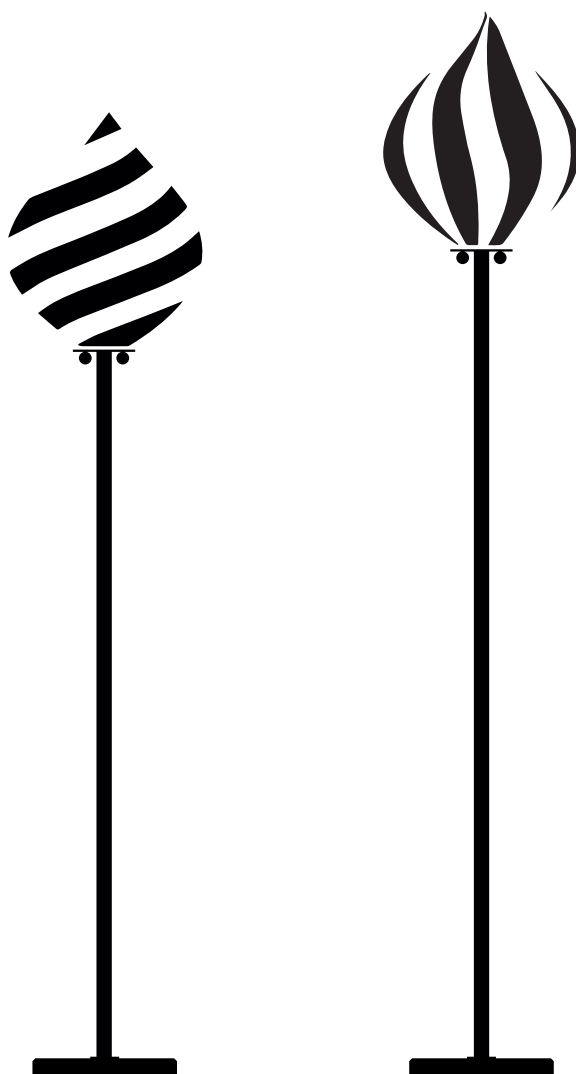


Installation
instructions



Instructions

- Must be installed by a professional
- Handle items carefully
- Use appropriate screws and equipment
- Wear gloves during installation

Assembly time

1h00

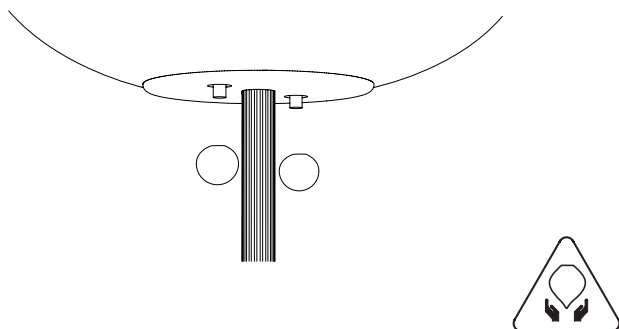
Number of people required

2

To set the lamp, follow those steps in this order : 3 - 4

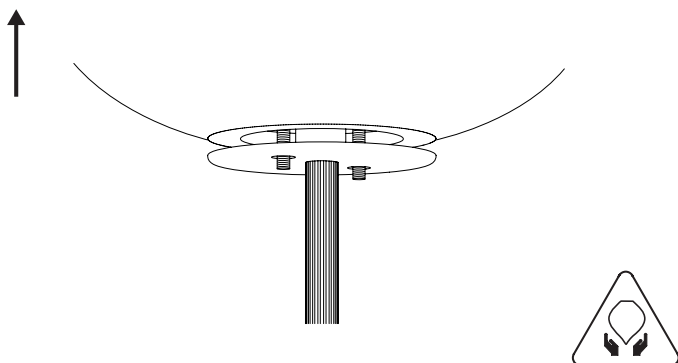
1

Unscrew the two pieces while holding the glass.



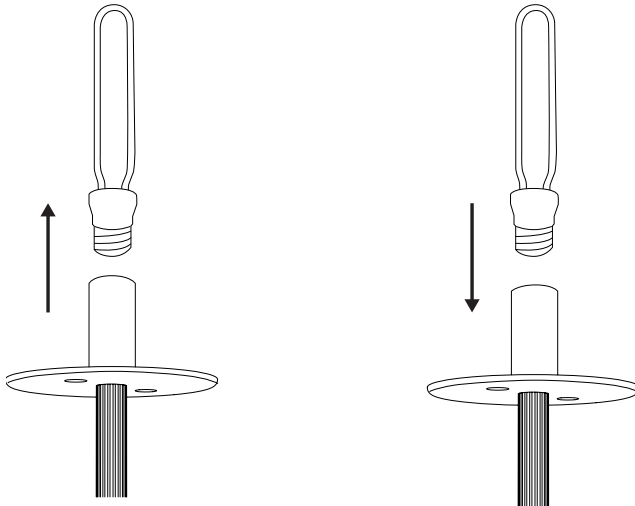
2

Remove the glass carefully.



3

Remove the bulb by pulling up.



4

Put back the glass thanks to the pieces.

