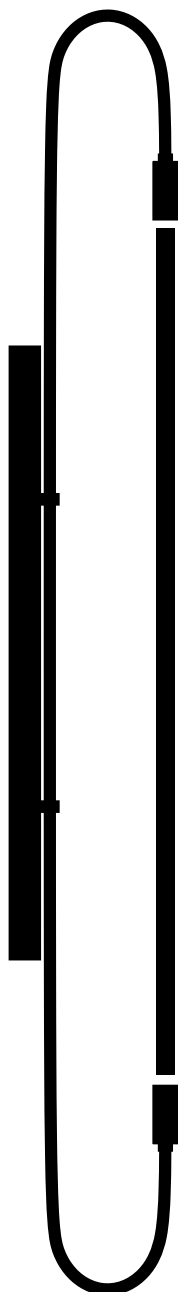


Installation
instructions



Instructions

- Must be installed by a professional
- Handle items carefully
- Use appropriate screws and equipment
- Wear gloves during installation

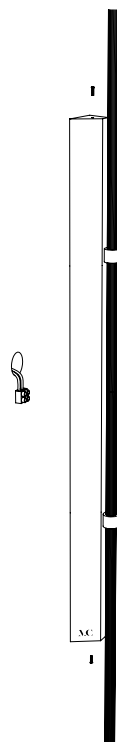
Assembly time

1h00

Number of people required

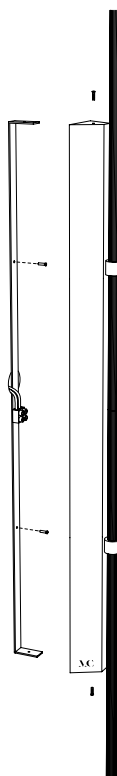
1

1



Free the plate.

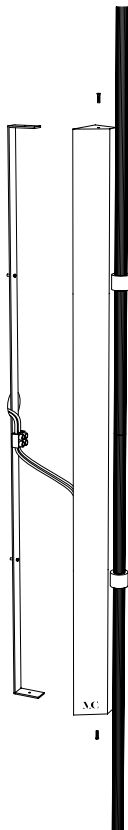
2



Fix the plate to the wall with dowels.

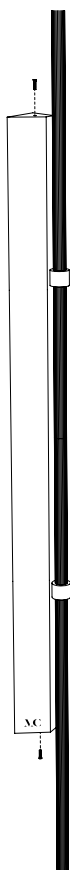
3

Connect the wires to the mains.

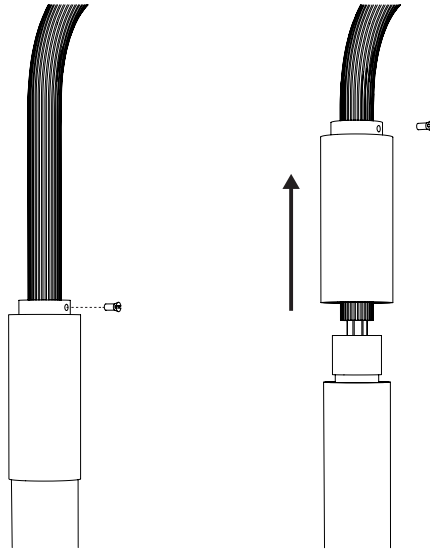


4

Fix the light to the plate.

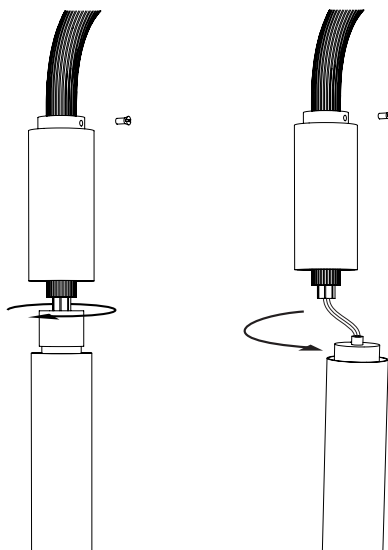


1



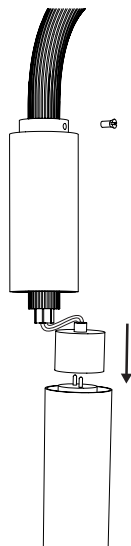
To change the neon tube, unscrew the retainer screw and slide the brass cylinder.

2



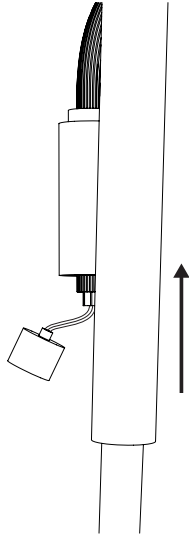
Unscrew the metal piece to release the connectic part.

3



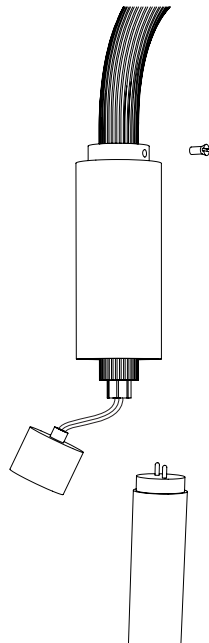
Remove the neon tube by pulling it down.

4



Put off the opalin glass tube.

5



Change tube and do the steps
backwards.