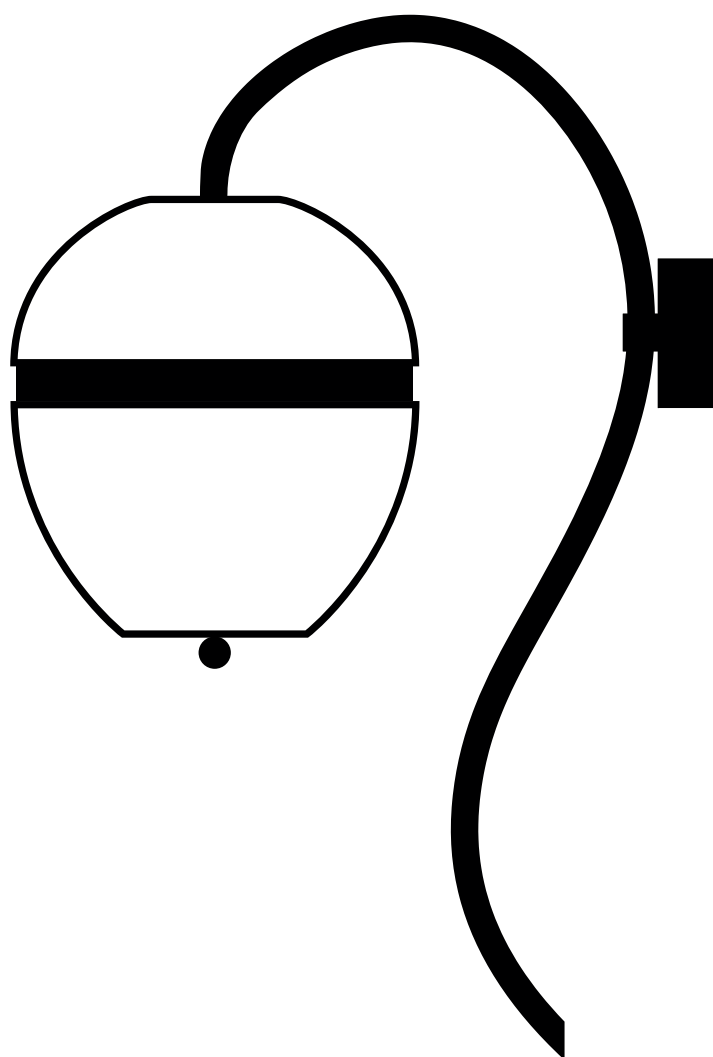


Installation
instructions



Instructions

- Must be installed by a professional
- Handle items carefully
- Use appropriate screws and equipment
- Wear gloves during installation

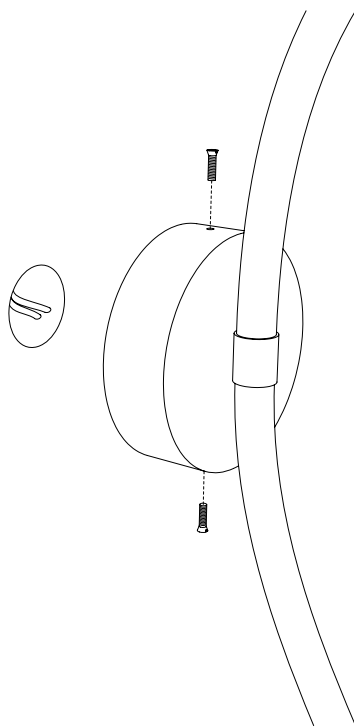
Assembly time

1h00

Number of people required

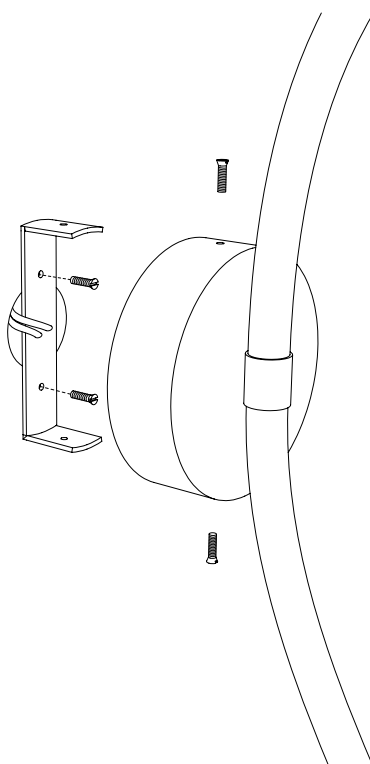
2

1



Free the plate.

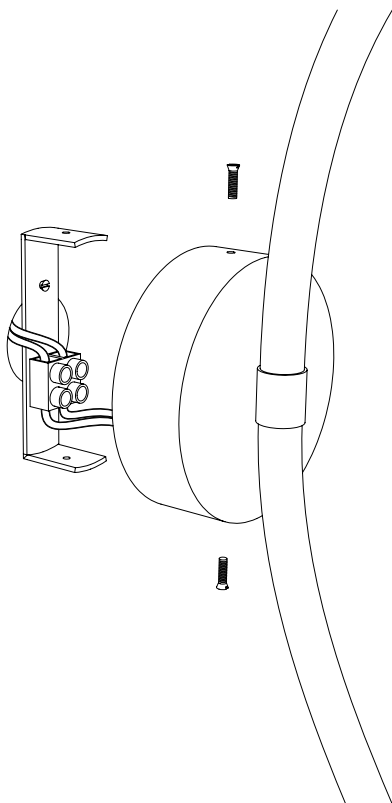
2



Fix the plate to the wall with dowels.

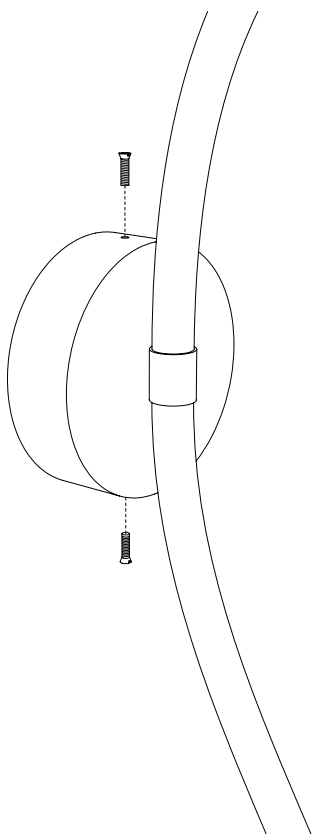
3

Connect the wires to the mains.



4

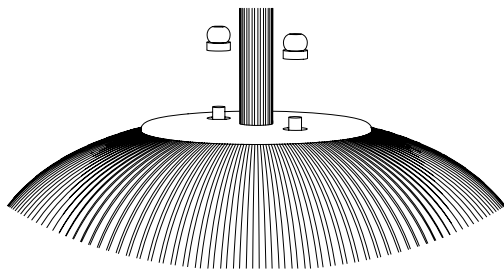
Fix the light to the plate.



To set the lamp, follow thoses steps in this order : 3 - 4

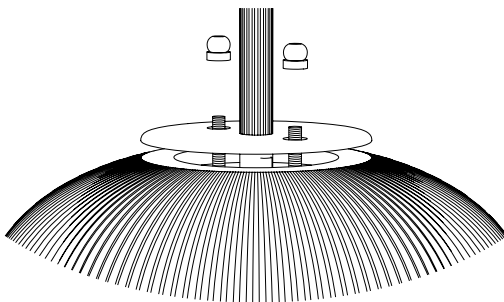
1

Unscrew the two pieces while holding the glass.



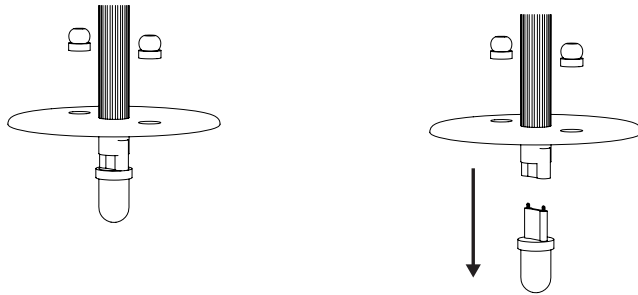
2

Remove the glass carefully.



3

Remove the bulb by pulling it down.



4

Put the glass back thanks to the pieces.

