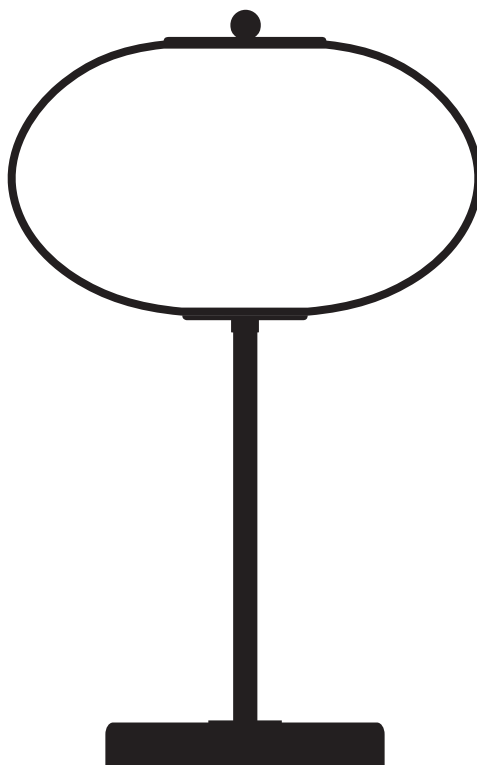


Installation
instructions



Instructions

- Must be installed by a professional
- Handle items carefully
- Use appropriate screws and equipment
- Wear gloves during installation

Assembly time

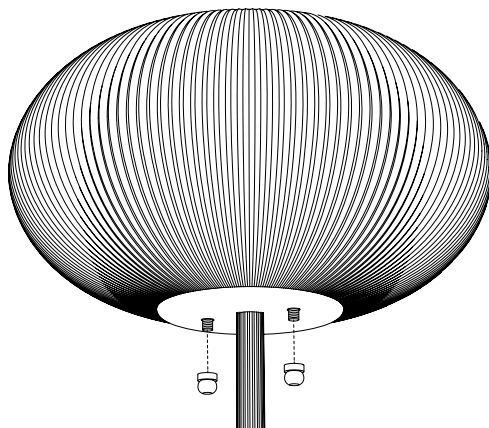
1h00

Number of people required

1

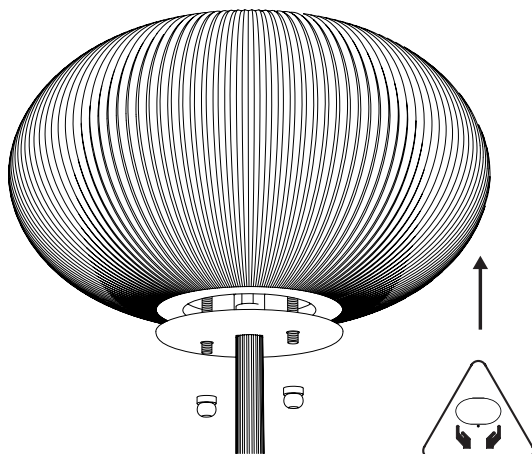
To set the lamp, follow thoses steps in this order : 3 - 4

1



Unscrew the two brass pieces while holding the glass.

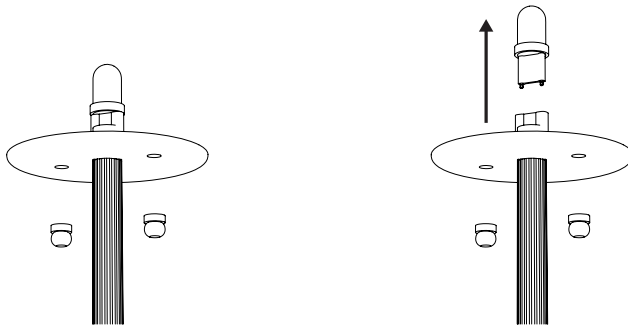
2



Remove the glass carefully.

3

Remove the bulb by pulling up.



4

Put back the glass thanks to the
brass pieces.

