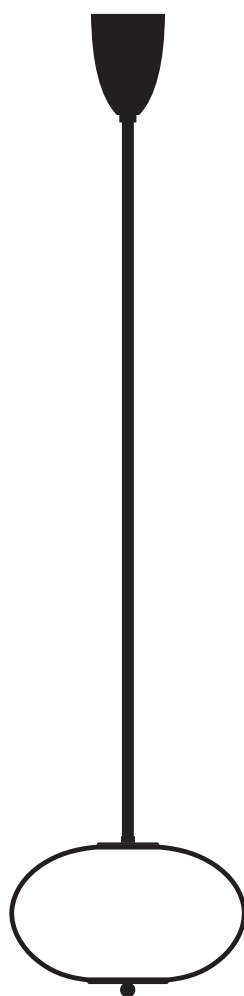


Installation
instructions



Instructions

- Must be installed by a professional
- Handle items carefully
- Use appropriate screws and equipment
- Wear gloves during installation

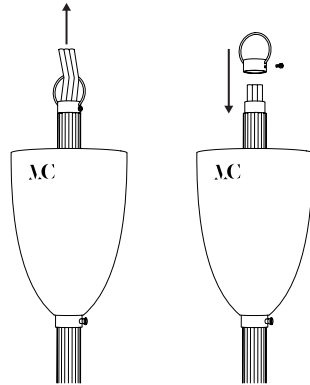
Assembly time

1h00

Number of people required

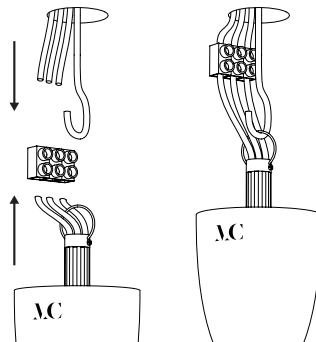
2

1



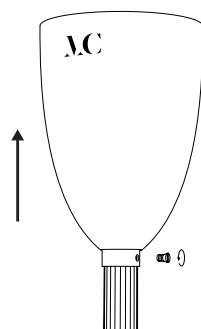
Unscrew the hook and insert the wires before screw it back.

2



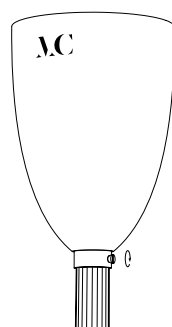
Connect the wires to the mains after setting up the hook.

3



Pull up the thread guard after unscrewing the ring's screw.

4

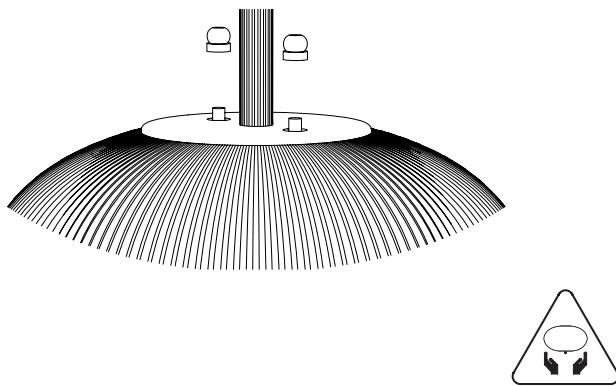


Once set, screw it back.

To set the lamp, follow thoses steps in this order : 3 - 4

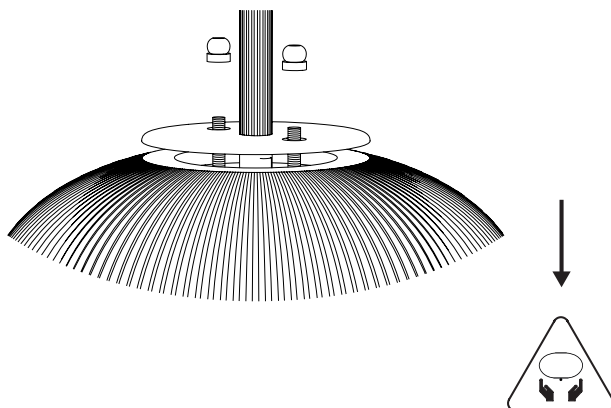
1

Unscrew the two pieces while holding the glass.



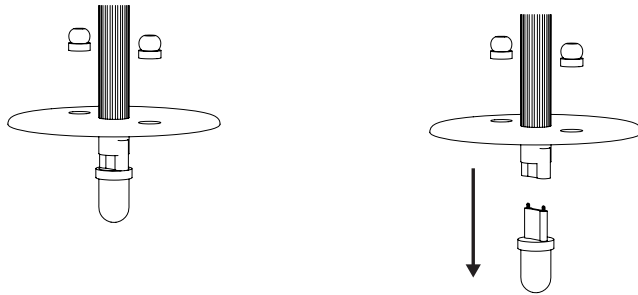
2

Remove the glass carefully.



3

Remove the bulb by pulling it down.



4

Put back the glass thanks to the pieces.

