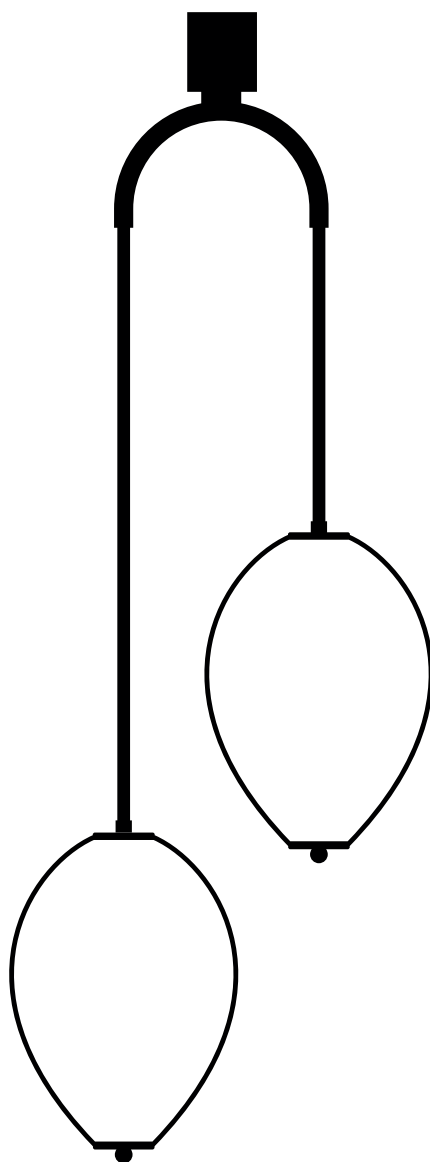


Installation  
instructions



## Instructions

- Must be installed by a professional
- Handle items carefully
- Use appropriate screws and equipment
- Wear gloves during installation

## Assembly time

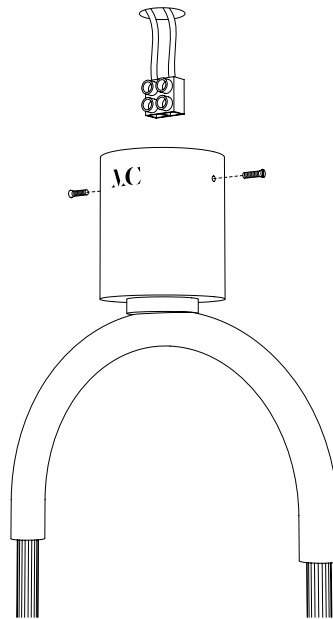
1h30

## Number of people required

2

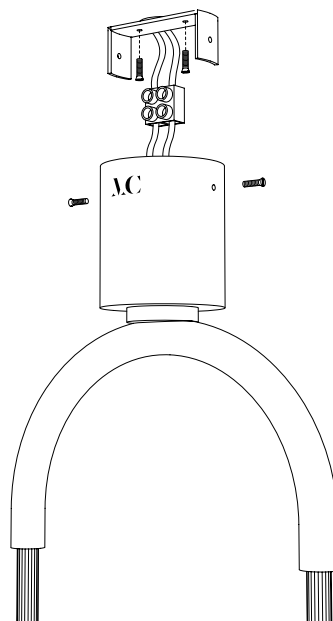
**1**

Free the plate.



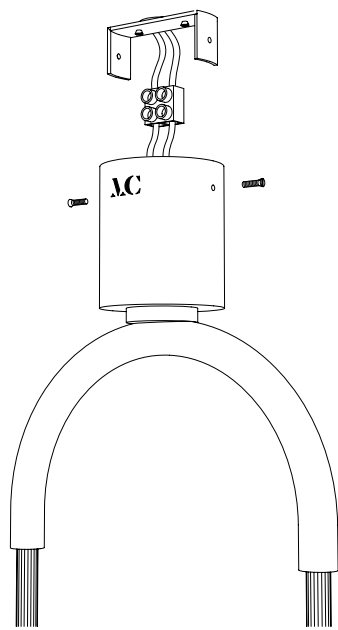
**2**

Fix the plate to the wall with dowels.



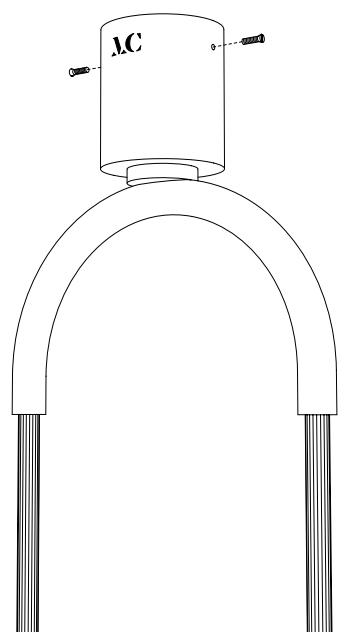
3

Connect the wires to the mains.



4

Fix the light to the plate.



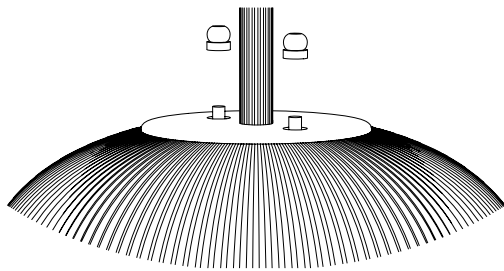
---

To set the lamp, follow those steps in this order : 3 - 4

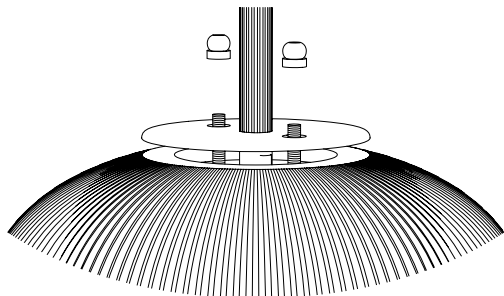
---

**1**

Unscrew the two pieces while holding the glass.

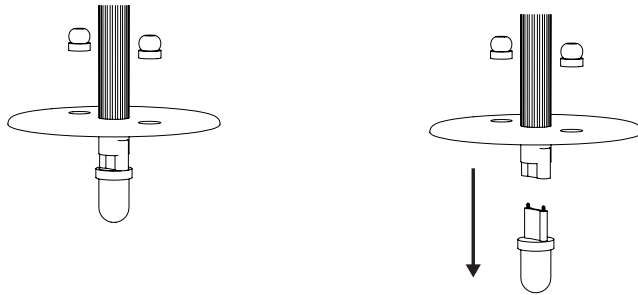
**2**

Remove the glass carefully.



3

Remove the bulb by pulling it down.



4

Put the glass back thanks to the pieces.

