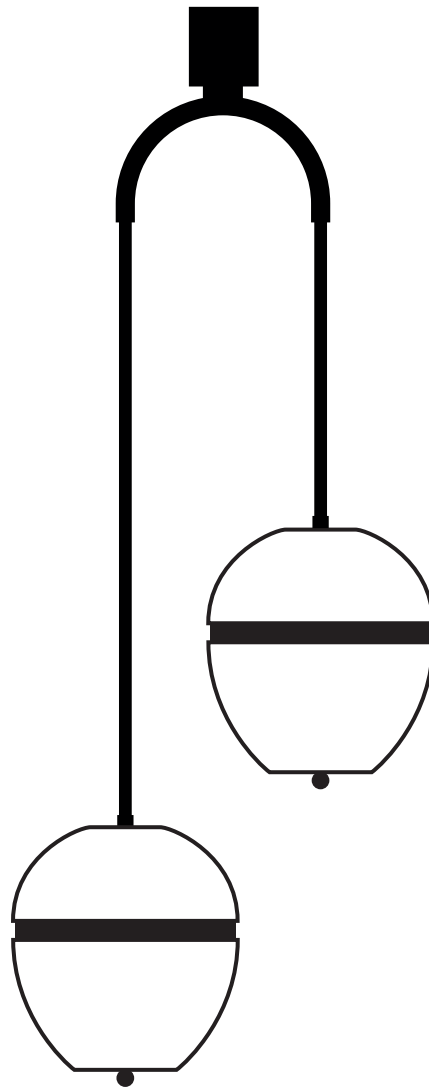


Installation
instructions



Instructions

- Must be installed by a professional
- Handle items carefully
- Use appropriate screws and equipment
- Wear gloves during installation

Assembly time

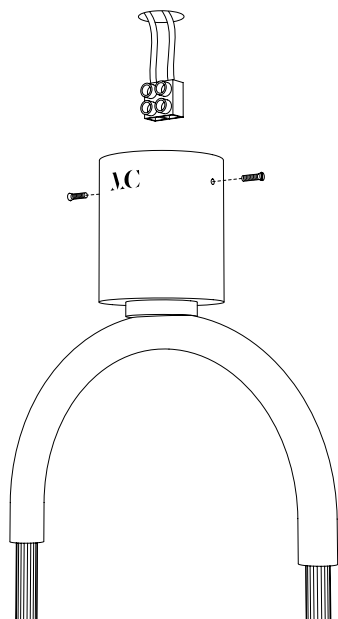
1h30

Number of people required

2

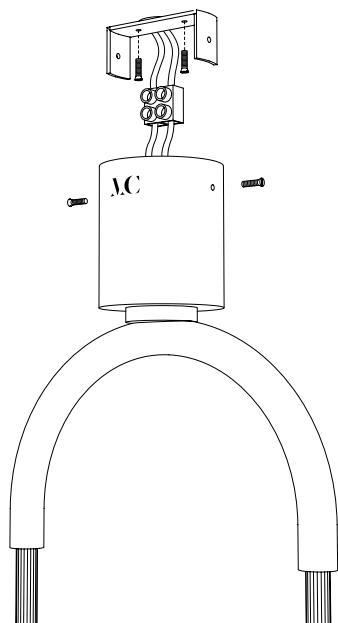
1

Free the plate.



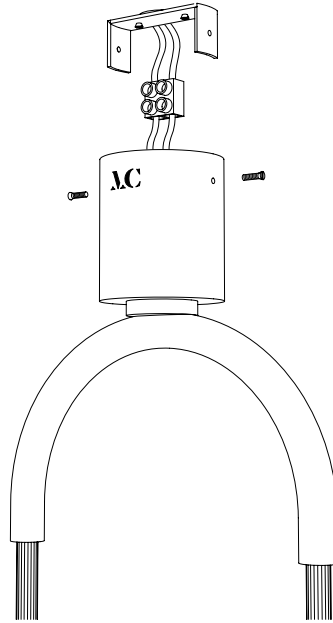
2

Fix the plate to the wall with dowels.



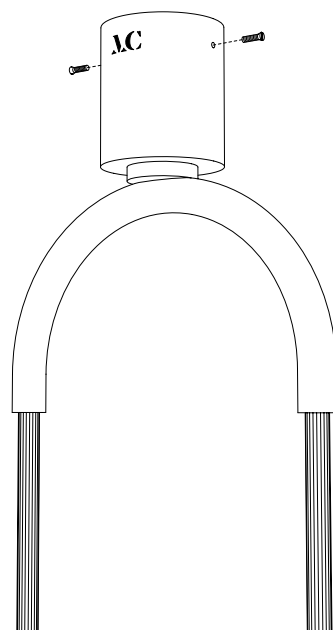
3

Connect the wires to the mains.



4

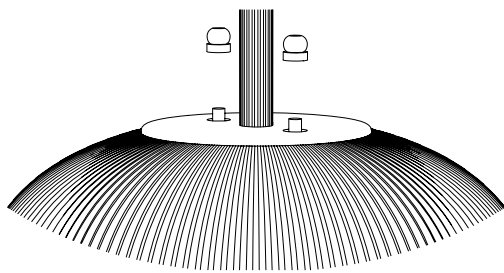
Fix the light to the plate.



To set the lamp, follow those steps in this order : 3 - 4

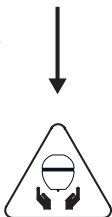
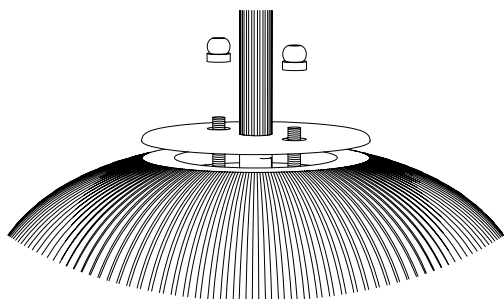
1

Unscrew the two pieces while holding the glass.



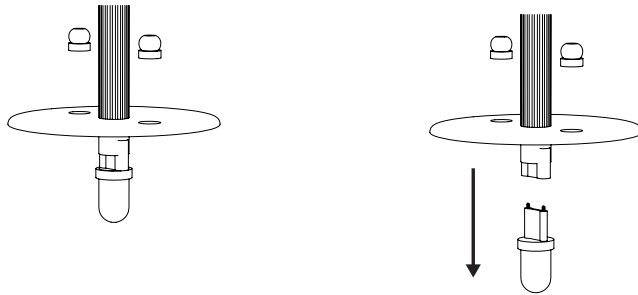
2

Remove the glass carefully.



3

Remove the bulb by pulling it down.



4

Put the glass back thanks to the pieces.

