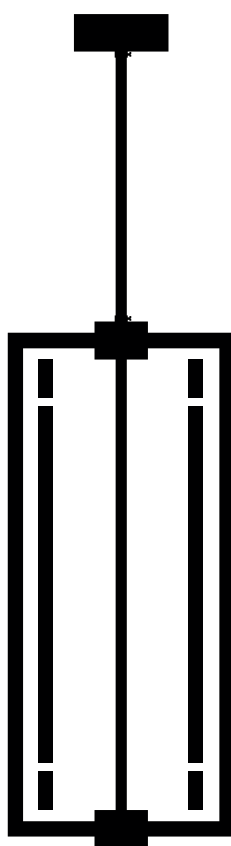


Installation
instructions



Instructions

- Must be installed by a professional
- Handle items carefully
- Use appropriate screws and equipment
- Wear gloves during installation

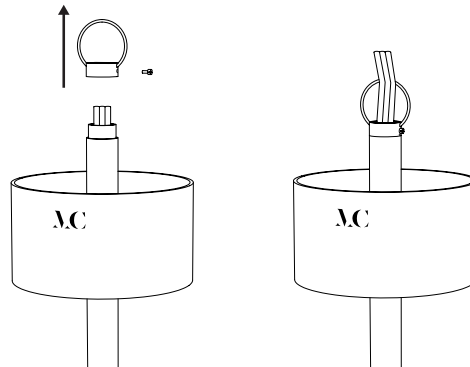
Assembly time

1h30

Number of people required

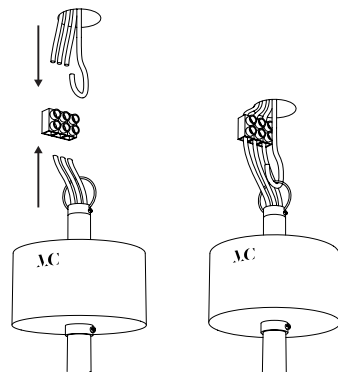
2

1



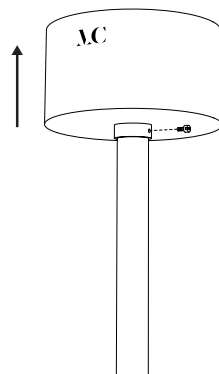
Unscrew the hook and insert the wires before screw it back.

2



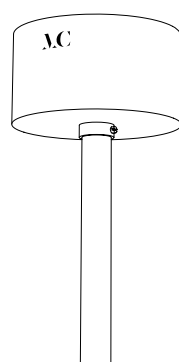
Connect the wires to the mains after setting up the hook.

3



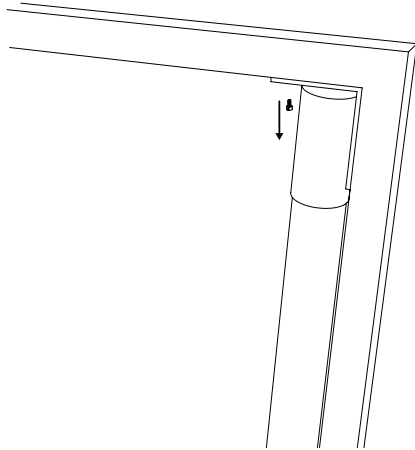
Pull up the thread guard after unscrewing the ring's screw.

4



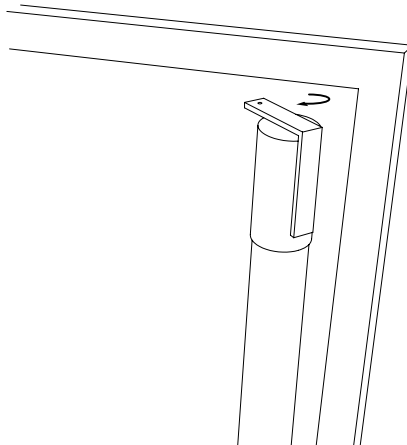
Once in place, screw it back.

1



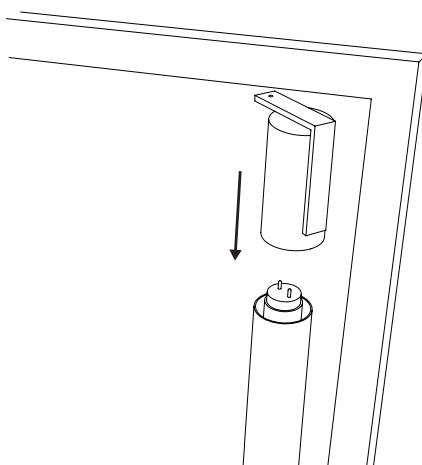
In case of neon tubes replacement, unscrew the screw.

2

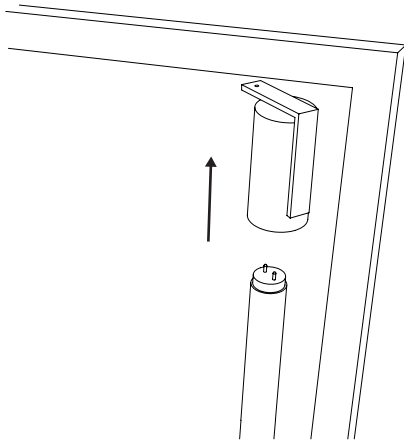


Recline the tube.

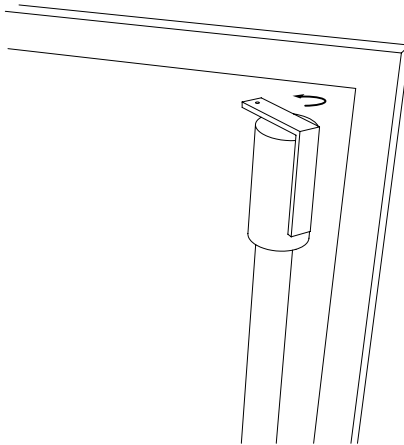
3



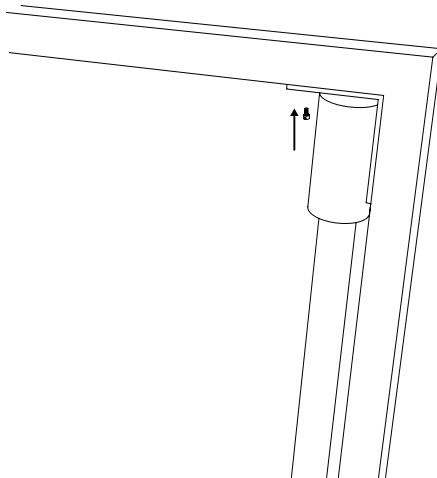
Remove the neon tube.

4

Insert the new neon tube into the base.

5

Recline the tube back.

6

Screw back the screw.