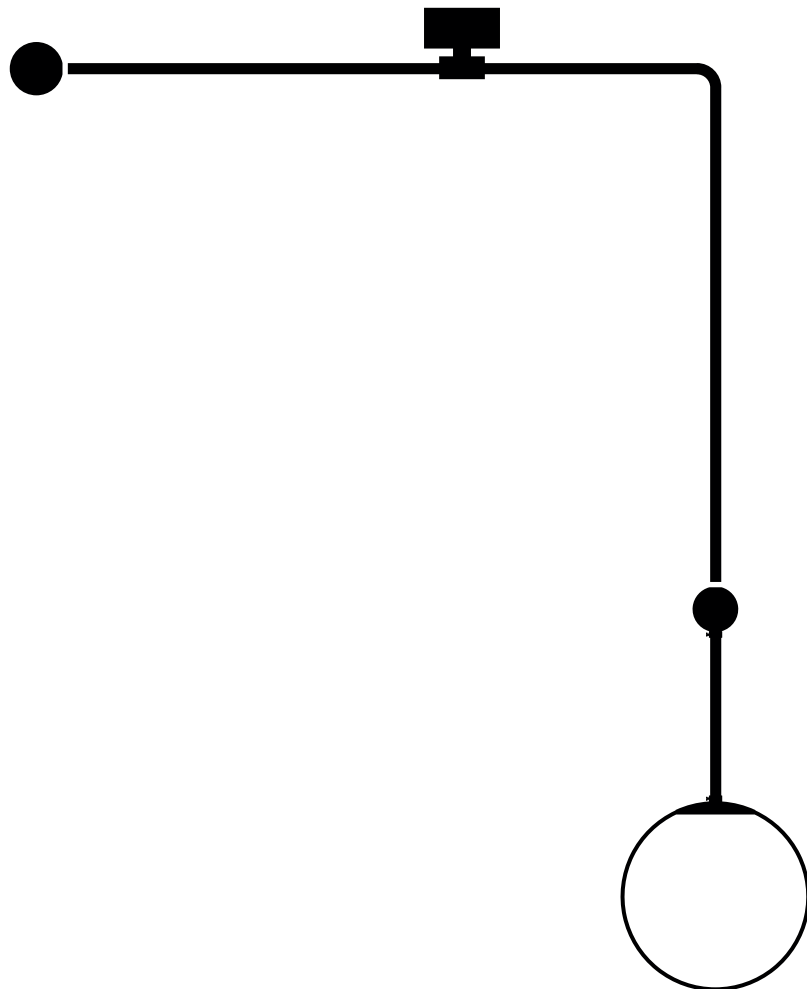


Installation
instructions



Instructions

- Must be installed by a professional
- Handle items carefully
- Use appropriate screws and equipment
- Wear gloves during installation

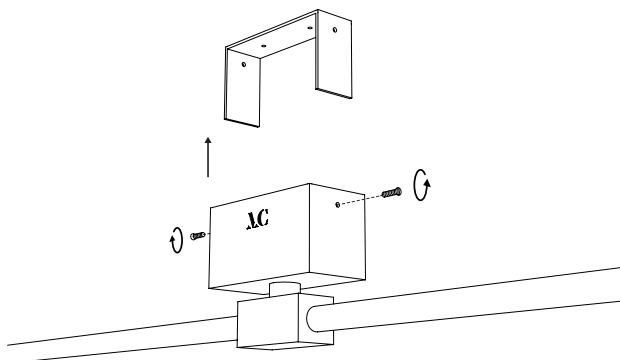
Assembly time

1h30

Number of people required

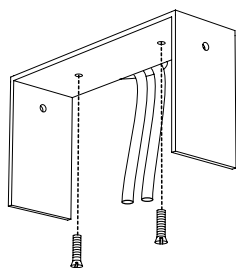
2

1



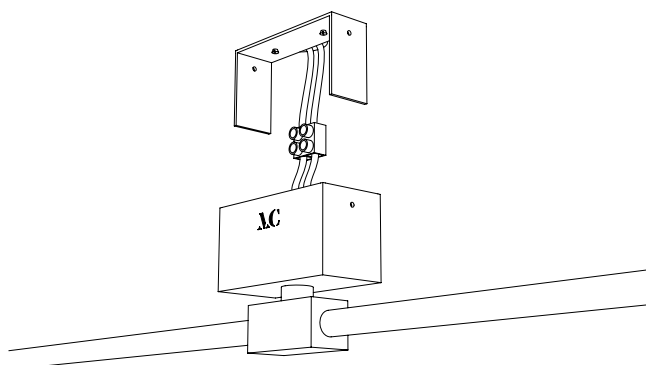
Unscrew the plate from the thread guard.

2



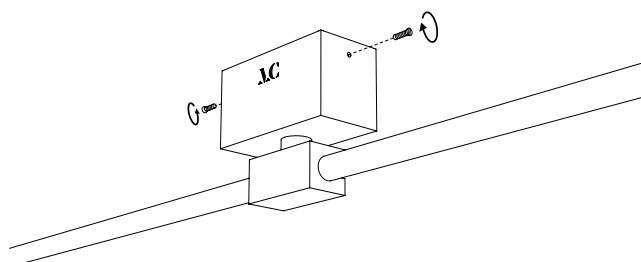
Fix the plate to the ceiling with dowels.

3



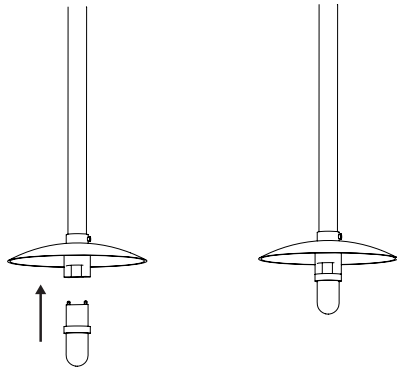
Connect the wires to the mains.

4



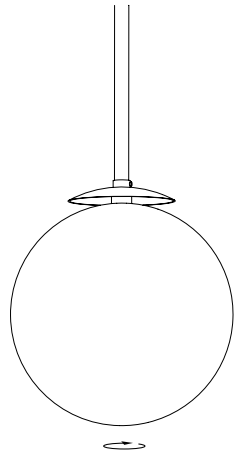
Reassemble the thread guard.

5



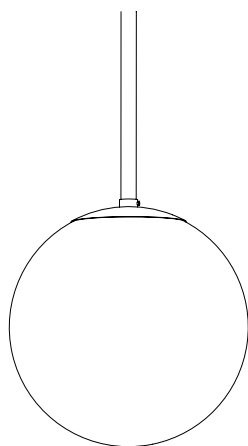
Insert the light source into the base.

6



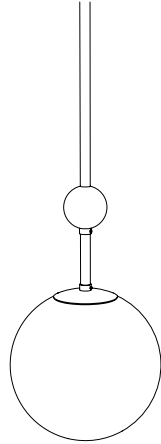
Screw the glass globe up to the resistor.

7



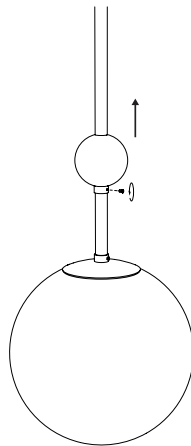
Beware ! Do not tighten stronger than natural resistance

1



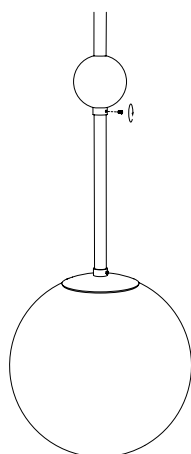
To adjust the position of the brass ball, follow those steps.

2



Unscrew the ring's screw and pull up the brass ball.

3



Revisser la vis de la bague.
Screw back the ring's screw.