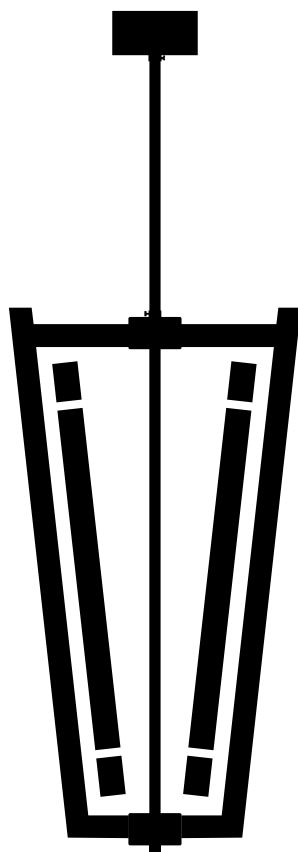


Installation
instructions



Instructions

- Must be installed by a professional
- Handle items carefully
- Use appropriate screws and equipment
- Wear gloves during installation

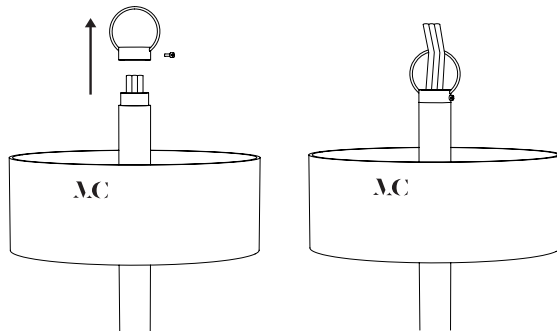
Assembly time

1h00

Number of people required

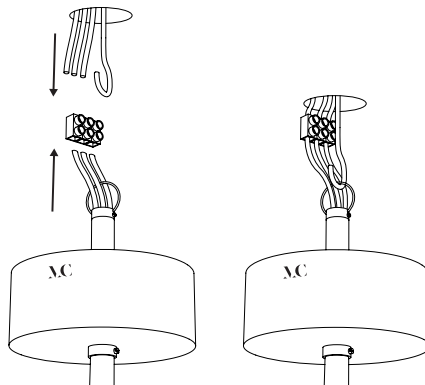
1

1



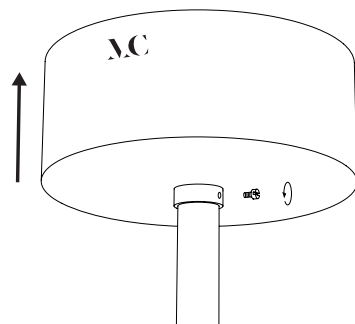
Unscrew the hook and insert the wires before screw it back.

2



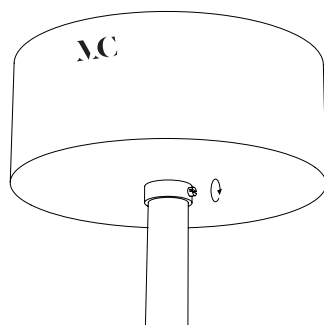
Connect the wires to the mains after setting up the hook.

3



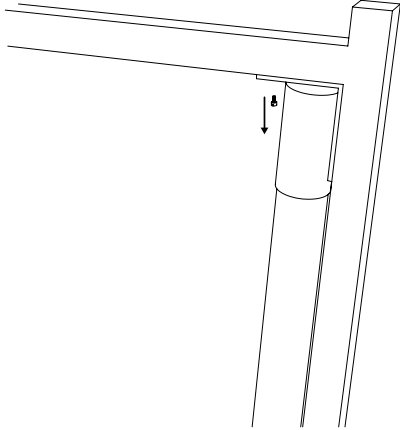
Pull up the thread guard after unscrewing the ring's screw.

4



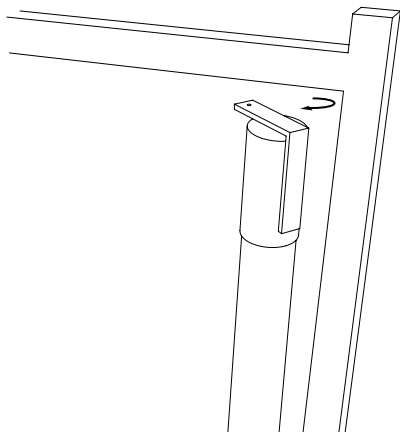
Once in place, screw it back.

1



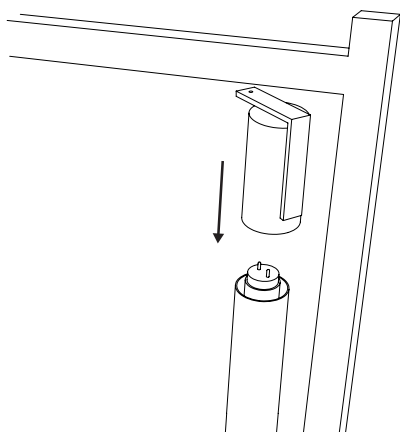
In case of neon tubes replacement, unscrew the screw.

2



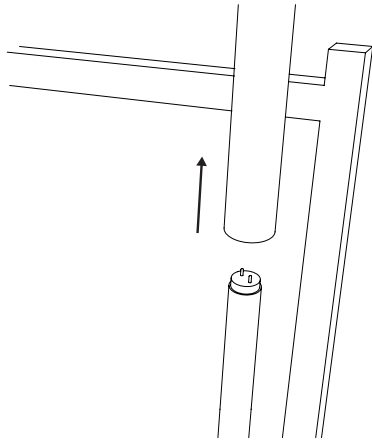
Recline the tube.

3



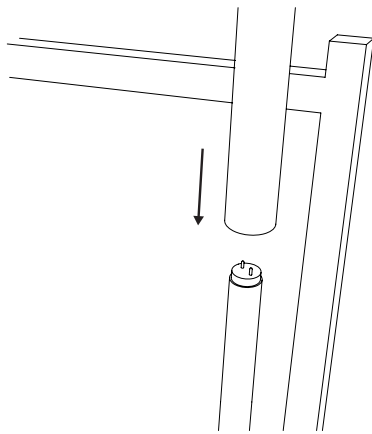
Remove the neon tube.

4



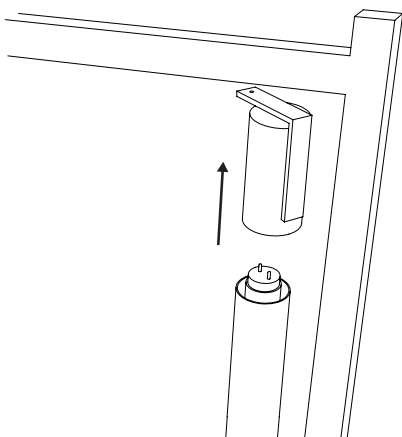
Put off the opalin glass tube.

5



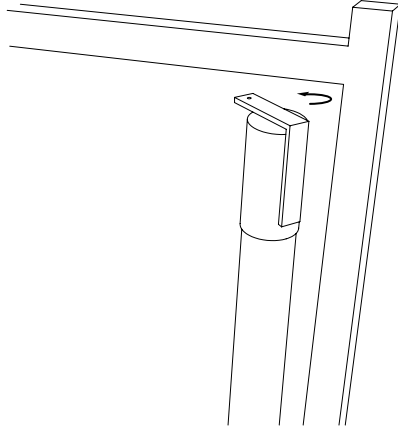
Put the opalin glass tube on the new neon tube.

6



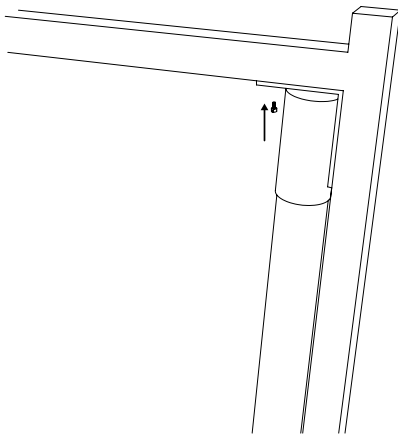
Insert the new neon tube into the base.

7



Recline the tube back.

8



Screw back the screw.